



value tech

Mobile Powder Dosing System

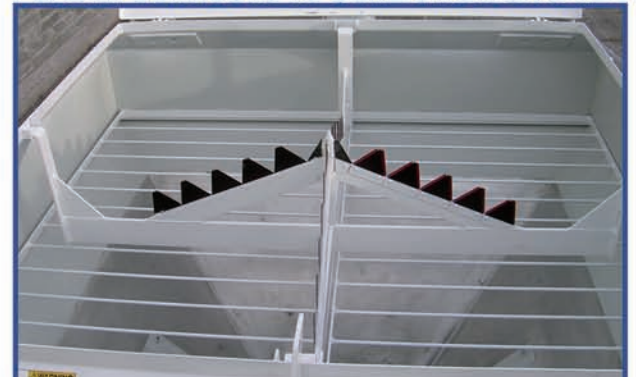
High precision volumetric powder or cement doser for construction or soil remediation site.



CONVENIENT & ACCURATE DOSING



EASILY CONNECTS TO GENERATOR ON SITE.



LARGE GRID OPENING WITH DETACHABLE KNIFE



SILO VIBRATION FOR BETTER FLOW

Variable dosing rate 0 – 20 tons per hr.
Variable discharge time 0 – 99 secs
Variable screw speed 1- 16 increments
PLC controlled operating system
Digital display for time & speed
Radio controlled operating option



Manufactured by: **Value Tech Ltd.**

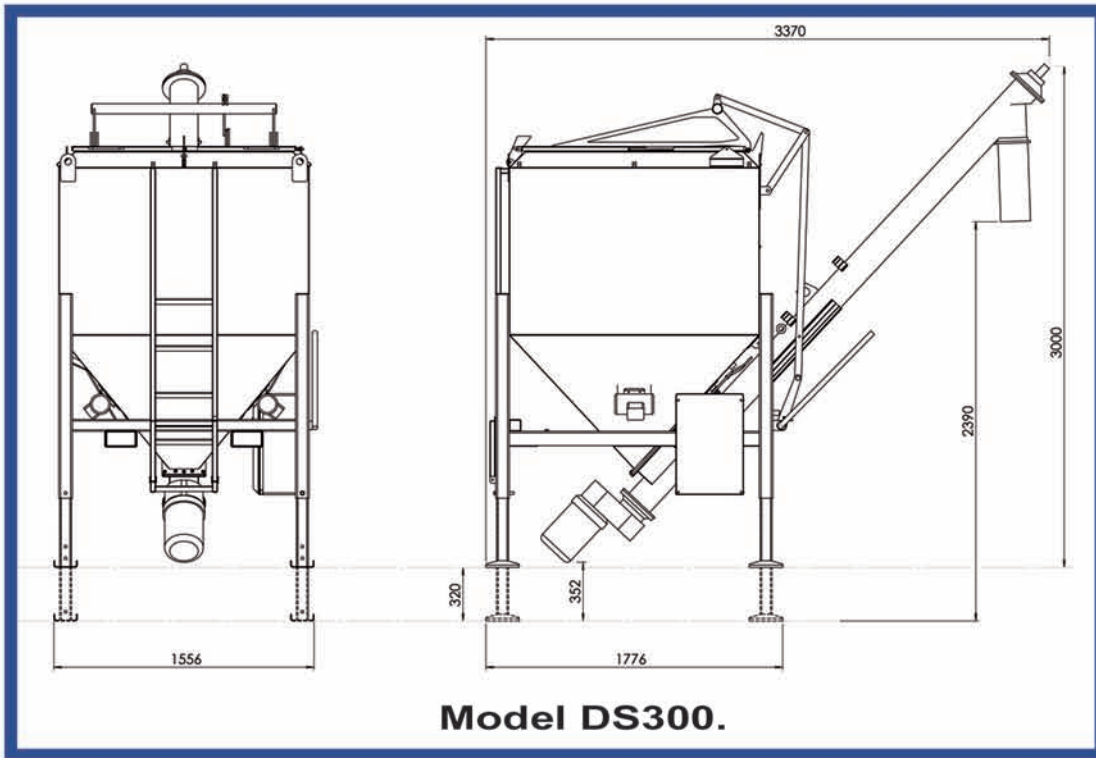
Dromalour, Kanturk, Co.Cork, Ireland.

Tel: 00353 29 51000. Fax: 00353 29 51510

Email: info@valuetech.ie Web: www.valuetech.ie

value tech

Mobile Powder Dosing System



MAIN CONTROL SYSTEM



RADIO TRANSMITTER



DIGITAL READ OUT

OTHER FEATURES:

- Adjustable legs for easy transportation
- Lifting eyes & fork receivers for site handling
- Lid opening mechanism from ground level
- Screw inspection cover for easy cleaning

Technical Table.

Model	DS 150	DS 300
Capacity (litres)	1500	3000
Overall Width (mm)	1600	1600
Overall Length (mm)	3380	3380
Overall Height Min excl. screw (mm)	1700	2500
Overall Height Min. incl. screw (mm)	3000	3000
Overall Height Max. incl. screw (mm)	3340	3340
Discharge Height (mm)	2400	2400
Weight (kg)	750	1050
Screw Length (mm)	3000	3000
Electricity Rating (KW)	4	4
Three Phase Electric Motor (KW)	2.2	2.2
Electric Vibrators	2	2
Radio Control System	✓	✓
Digital Display Screen	✓	✓
Access Ladder	✓	✓
Knife to burst 1Ton bag	✓	✓
Adjustable screw feed flap	✓	✓
Flexible Discharge Sock	✓	✓



EAST ACCESS LADDER



RADIO ALERT BEACON



SCREW FEED CONTROL

www.valuetech.ie

All dimensions given are for indication purposes only. Value Tech Ltd reserves the right to modify specification without notification.